

DC140

Rack and pinion door closer with link arm



ASSA ABLOY DC140

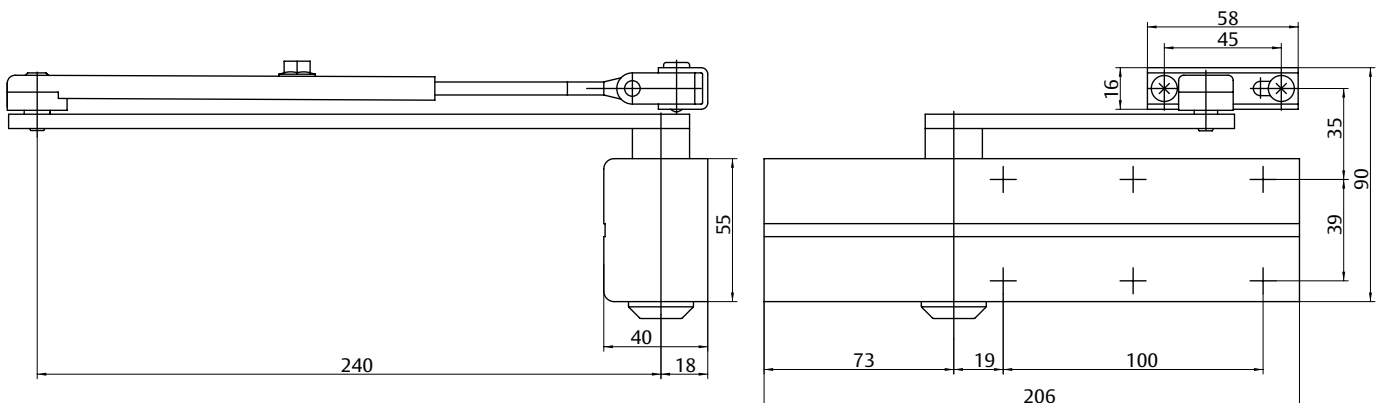
- Certified in compliance with EN 1154, size 2/3/4/5
- For single action doors up to 1250 mm wide

Characteristics for DC140

- Can be used for left and right-handed doors
- Suitable for fire and smoke protection doors
- Closing speed, latching speed and backcheck adjustable via front facing regulating valves
- Thermodynamic valves for consistent performance
- Closing force configurable
- Opening angle up to 180° (EN5 = 125°)
- Standard colours: silver EV1; white, similar to RAL9016; brown, similar to RAL8014; black, similar to RAL9005



CE	ASSA ABLOY									11
	Sicherheitstechnik GmbH									
	Bildstockstraße 20									
	72458 Albstadt									
1162-CPD-0534	EN 1154:1996+A1:2002	4	8	2/3/4	1	1	4			
	+AC:2006	3	8	5	1	1	4			
Dangerous substances: None										



DC140

Technical attributes

Technical attributes	
Door width up to	1250 mm
Closing force configurable	EN 2/3/4/5
Fire and smoke protection	yes
DIN door swing directions	left / right handed
Closing speed	Variable between 180°-15° / EN5 = 125°-15°
Latching speed	Variable between 15°-0°
Backcheck	Variable above 75°
Weight	1.75 kg
Height	55 mm
Depth	40 mm
Length	206 mm
Certified in compliance with	EN 1154
CE marking for building products	yes

The advantages at a glance

Our service for you: here you can see the individual advantages of our door closer models for your respective field of business.

Customer segment	Advantages
Project planners	- Compact design - Modern design - Favourably priced, reliable closer model
Builders	- Quick and easy installation - Can be used for left and right-handed doors - Easy to adjust
Trade	- Inexpensive closer model for standard doors - All-inclusive package with door closer and link arm
User	- Largely unaffected by temperature fluctuations thanks to thermodynamic valves - Backcheck feature offers optimum protection for doors and walls

Specifications for DC140

ASSA ABLOY Door Closer DC140 featuring rack and pinion technology in compliance with EN 1154

- Closing force configurable, EN size 2/3/4/5, for doors up to 1250 mm wide
- Closing speed, latching speed and backcheck continuously adjustable
- Suitable for fire and smoke protection doors
- CE approved
- Suitable for left and right handed doors

Accessories:

- Link arm L140
- Link arm L141
- Guide rail G143
- Parallel arm bracket A154
- Mounting Plate A161

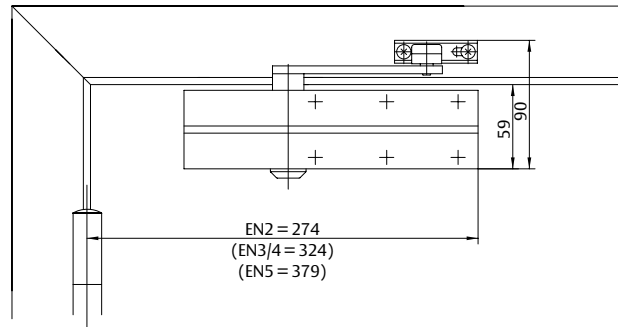
Colour:

- Silver EV1
- White, similar to RAL9016
- Brown, similar to RAL8014
- Black, similar to RAL9005

You can find the complete specifications on the Internet at: ([Link of your companies homepage](#))

DC140

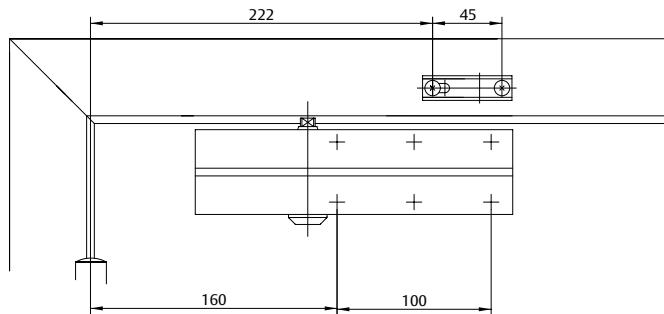
Dimensional drawings



Required space on doors

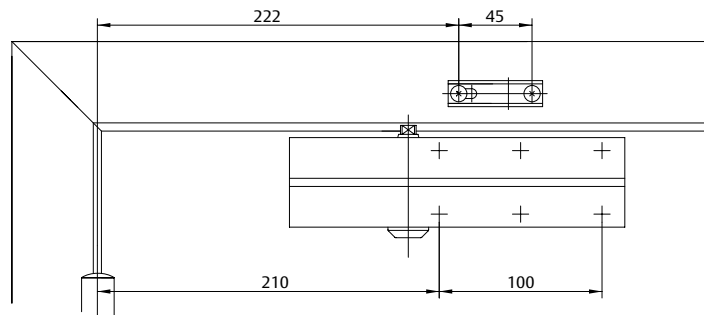
Left handed shown in diagram

Right handed is the reverse



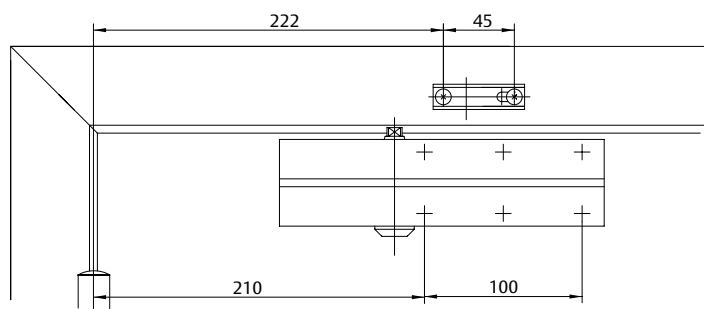
Installation dimensions

Installation dimensions
EN2



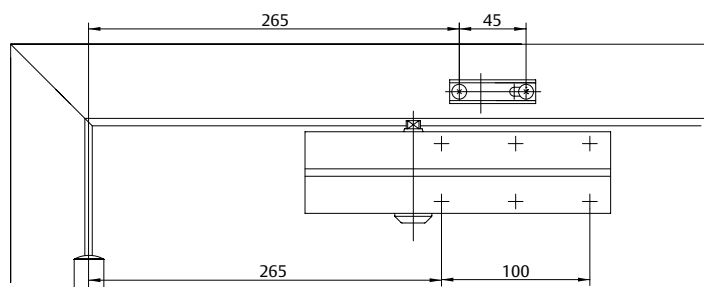
Installation dimensions

Installation dimensions
EN3



Installation dimensions

Installation dimensions
EN4

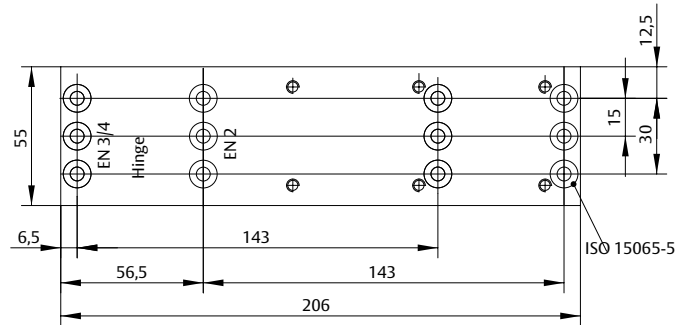


Installation dimensions

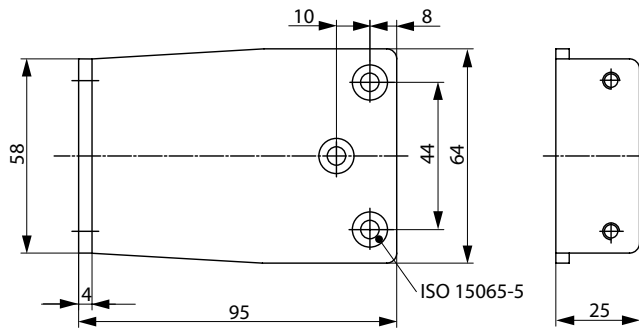
Installation dimensions
EN5

DC140

Accessories and order placement information



Mounting Plate A161
Mounting Plate A161



Parallel arm bracket A154
For Parallel Arm installation.
Check suitability for use on fire and smoke protection doors.

Description	Order no.
DC140 EN size 2/3/4/5, silver EV1	
DC140 EN size 2/3/4/5, white, similar to RAL9016	
DC140 EN size 2/3/4/5, brown, similar to RAL8014	
DC140 EN size 2/3/4/5, black, similar to RAL9005	
DC140 body EN size 2/3/4/5, silver EV1	
DC140 body EN size 2/3/4/5, white, similar to RAL9016	
DC140 body EN size 2/3/4/5, brown, similar to RAL8014	
DC140 body EN size 2/3/4/5, black, similar to RAL9005	
Link arm L140, silver EV1	
Link arm L140, white, similar to RAL9016	
Link arm L140, brown, similar to RAL8014	
Link arm L140, black, similar to RAL9005	
Hold-open link arm L141, silver EV1	
Hold-open link arm L141, white, similar to RAL9016	
Hold-open link arm L141, brown, similar to RAL8014	

Description	Order no.
Hold-open link arm L141, black, similar to RAL9005	
Guide rail G143, silver EV1	
Guide rail G143, white, similar to RAL9016	
Guide rail G143, black, similar to RAL9005	
Parallel arm bracket A154, silver EV1	
Parallel arm bracket A154, white, similar to RAL9016	
Parallel arm bracket A154, brown, similar to RAL8014	
Parallel arm bracket A154, black, similar to RAL9005	
Mounting Plate A161, silver EV1	
Mounting Plate A161, white, similar to RAL9016	
Mounting Plate A161, brown, similar to RAL8014	
Mounting Plate A161, black, similar to RAL9005	
Mounting Plate A168, silver EV1	