

DC120

Rack and pinion door closer with link arm



ASSA ABLOY DC120

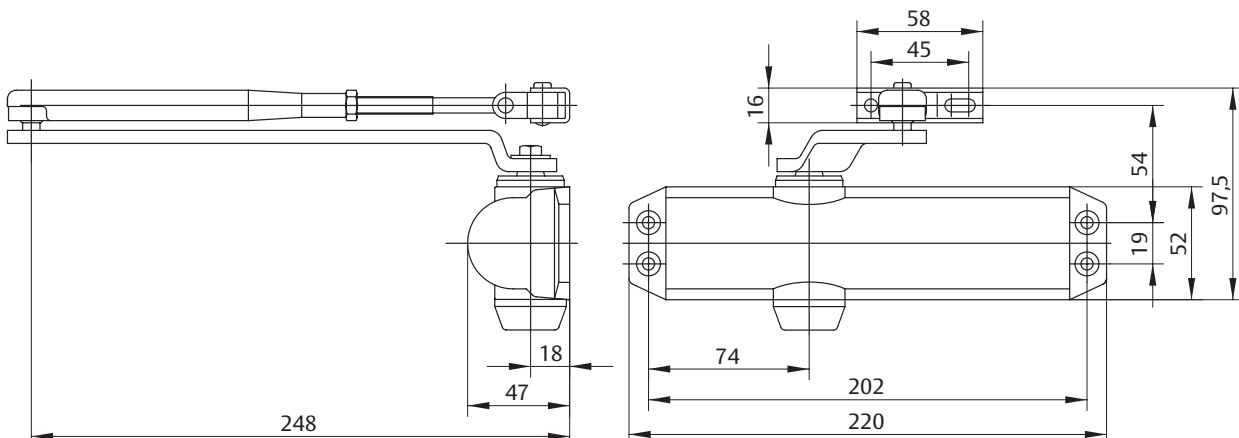
- Rack and pinion door closer with link arm
- Certified in compliance with EN 1154, size 2/3/4
- For single action doors up to 1100 mm wide

Characteristic DC120

- Can be used for left and right-handed doors
- Suitable for fire and smoke protection doors
- Closing speed, latching speed and backcheck continuously adjustable using regulating valves
- Thermodynamic valves for consistent performance
- Closing force configurable
- Opening angle up to 180° (105° in mounting position on EN size 4)
- Standard colours: silver EV1; white, similar to RAL9016; brown, similar to RAL8014; black, similar to RAL9005



CE	ASSA ABLOY Sicherheits-technik GmbH Bildstockstraße 20 72458 Albstadt		16
	EN 1154:1996/A1:2002/AC:2006-02 1121-CPR-AD5249		
DC120		4 8 2/3/4 1 1 4	
Dangerous substances: None			



DC120

Technical attributes

Technical attributes	
Door width up to	1100 mm
Closing force	EN 2/3/4
Suitable for fire doors	Yes
Handing	Left / right handed
Closing speed	Variable between 180°-15°
Latching speed	Variable between 15°-0°
Backcheck	Variable above 75°
Weight	1.6 kg
Height	52 mm
Depth	47 mm
Length	220 mm
Certified in compliance with	EN 1154
CE marking for building products	Yes

The advantages at a glance

Customer segment	Advantages
Project planners	- Compact design - Favourably priced, reliable closer model
Builders	- Quick and easy installation - Suitable for left and right handed doors - Easy to adjust
Trade	- Inexpensive closer model for standard doors - All-inclusive package with door closer and link arm
User	- Largely unaffected by temperature fluctuations thanks to thermodynamic valves - Backcheck feature offers optimum protection for doors and walls

Our service for you: here you can see the individual advantages of our door closer models for your respective field of business.

You can find the complete specification on the internet at: www.assaabloy.de

Specifications for DC120

ASSA ABLOY Door Closer DC120 featuring rack and pinion technology in compliance with EN 1154

- Closing force configurable, EN size 2/3/4, for doors up to 950 mm (1100 mm) wide
- Closing speed, latching speed and backcheck continuously adjustable
- Suitable for fire and smoke protection doors
- CE approved
- Suitable for left and right handed doors

Accessories:

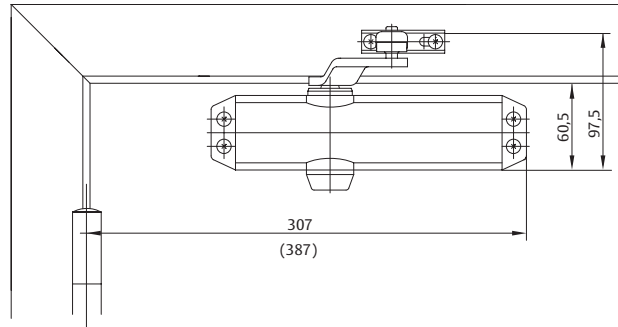
- Hold-open link arm L141 (Cannot be used with fire and smoke protection doors)
- Parallel arm bracket A154
- Cover A120CC

Colour:

- Silver EV1
- White, similar to RAL9016
- Black, similar to RAL9005

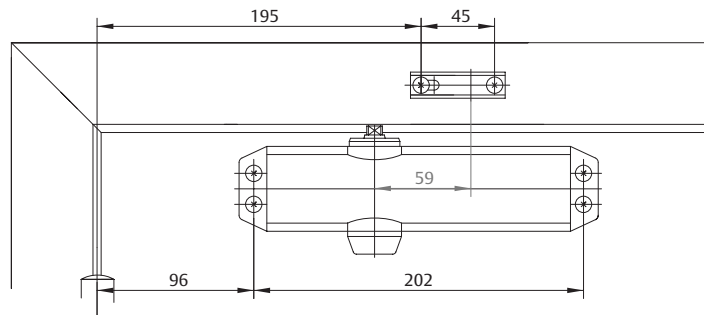
DC120

Dimensional drawings



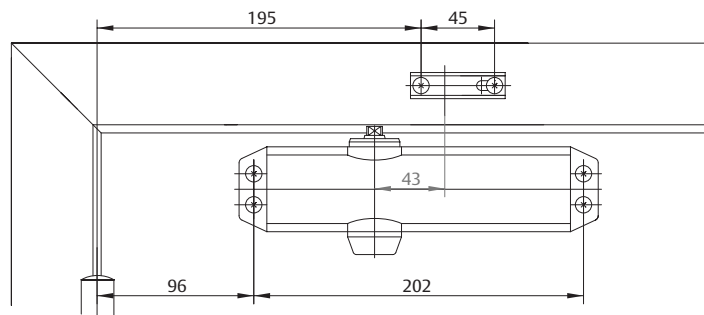
Required space on doors

Left handed shown in diagram
Right handed is the reverse



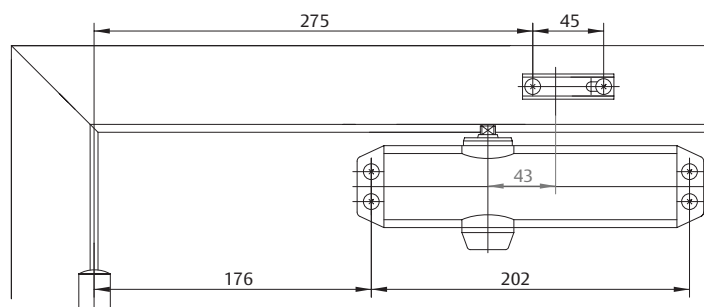
Installation dimensions

Installation dimensions
EN2



Installation dimensions

Installation dimensions
EN3

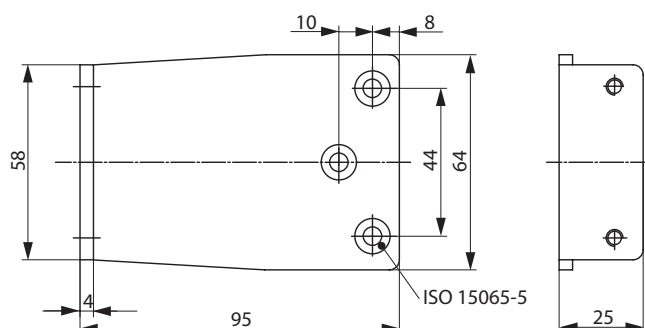


Installation dimensions

Installation dimensions
EN4

DC120

Accessories and order placement information



Parallel arm bracket A154

For Parallel Arm installation.
Check suitability for use on fire and smoke protection doors.

Cover A120C

Painted plastic cover for DC120 body, fixed by clip on and reversible logo tag.



Designation / Item	Order no.	Designation / Item	Order no.
DC120 with link arm, EN size 2/3/4, silver EV1	DC120-----EV1-	Hold-open link arm L141, silver EV1 (Cannot be used with fire and smoke protection doors)	DCL141-----EV1-
DC120 with link arm, EN size 2/3/4, white, similar to RAL 9016	DC120-----9016	Hold-open link arm L141, white, similar to RAL9016 (Cannot be used with fire and smoke protection doors)	DCL141-----9016
DC120 with link arm, EN size 2/3/4, brown, similar to RAL8014	DC120-----8014	Hold-open link arm L141, brown, similar to RAL8014 (Cannot be used with fire and smoke protection doors)	DCL141-----8014
DC120 with link arm, EN size 2/3/4, black, similar to RAL9005	DC120-----9005	Hold-open link arm L141, black, similar to RAL9005 (Cannot be used with fire and smoke protection doors)	DCL141-----9005
Mounting plate A168, for link arm, silver EV1	DCA168-----EV1-	Cover A120C, silver EV1	DCA120C-----EV1-
Parallel arm bracket A154, silver EV1	DCA154-----EV1-	Cover A120C, white similar to RAL9016	DCA120C-----9016
Parallel arm bracket A154, white, similar to RAL9016	DCA154-----9016	Cover A120C, black similar to RAL9005	DCA120C-----9005
Parallel arm bracket A154, brown, similar to RAL8014	DCA154-----8014	Cover A120C, customised finish on demand	DCA120C-----XXXX
Parallel arm bracket A154, black, similar to RAL9005	DCA154-----9005		